



WISCO INDUSTRIES, INC.

PHONE: 608.835.3106 • TOLL FREE: 800.999.4726 • FAX: 608.835.7399 • www.wiscoind.com

**Models 695D/925 Series-
Blower Motor Replacement
0022309**

DESCRIPTION

This document illustrates how to replace a Blower Motor for models 695D and 925 series.

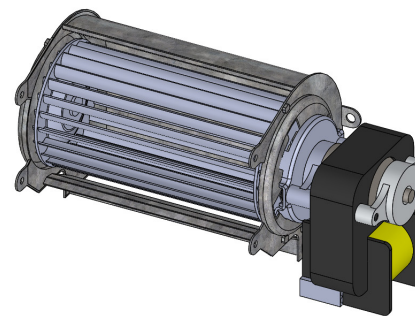
For instructional purposes, model 695D is shown in photos. However, instructions for the 925 series are the same.



TOOLS NEEDED

- #2 Phillips Screwdriver

NOTE: NEWER BLOWER MOTORS DO NOT REQUIRE COOLING FAN BLADE

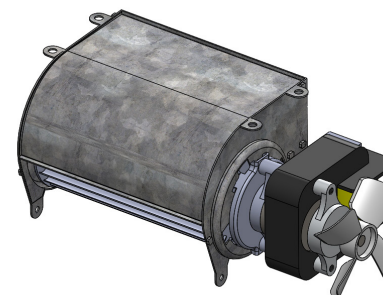


PARTS INCLUDED

- (1) 0022309 Blower Motor Assembly

NOTE: OLDER UNITS MAY BE EQUIPPED WITH BLOWER MOTOR WITH COOLING FAN BLADE LIKE SHOWN ON RIGHT. BOTH MOTORS ARE RETROFITABLE.

**IF NEEDING ONLY SMALL FAN BLADE:
#0017331**





UNPLUG UNIT FROM OUTLET AND ALLOW TO COOL

1 Remove (8) screws and remove the top.



2 Remove side panel by pushing the graphic panel in gently to separate the latches. Then pull the panel up and out.



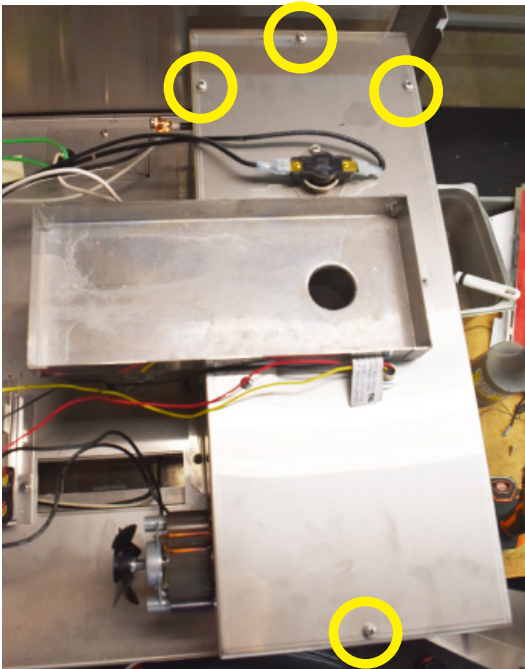


WISCO INDUSTRIES, INC.

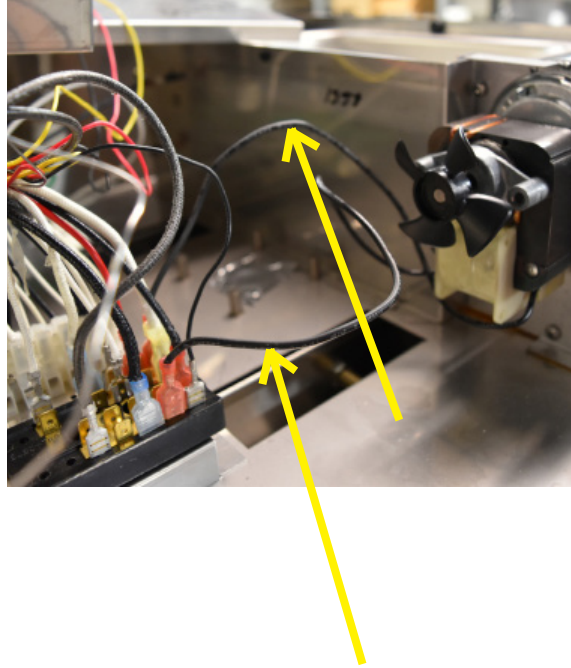
PHONE: 608.835.3106 • TOLL FREE: 800.999.4726 • FAX: 608.835.7399 • www.wiscoind.com

**Models 695D/925 Series-
Blower Motor Replacement
0022309**

- 3** Remove (4) screws on top of the Air Lid Assembly and remove the assembly.



- 4** Disconnect motor wires (marked by yellow arrows below)



- 5** Remove (1) screw holding the blower motor bracket in place and remove the blower motor assembly.



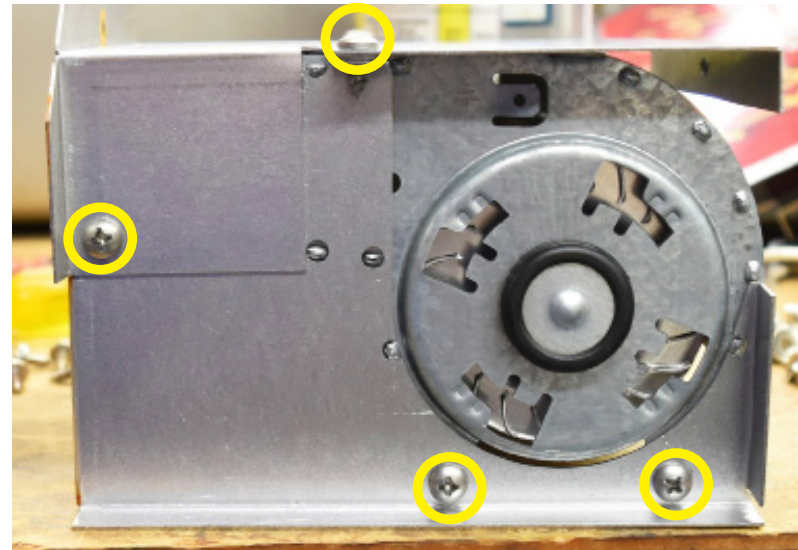
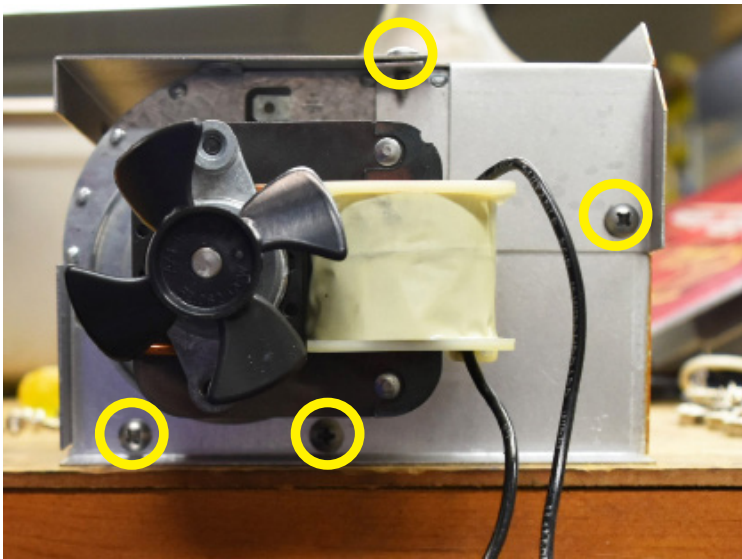


WISCO INDUSTRIES, INC.

PHONE: 608.835.3106 • TOLL FREE: 800.999.4726 • FAX: 608.835.7399 • www.wiscoind.com

**Models 695D/925 Series-
Blower Motor Replacement
0022309**

- 6** Remove (8) Screws from the motor's bracket and disassemble the bracket.



- 7** Using the new motor, complete all steps in reverse order and you have successfully replaced your units blower motor. Your unit is now ready for operation.