



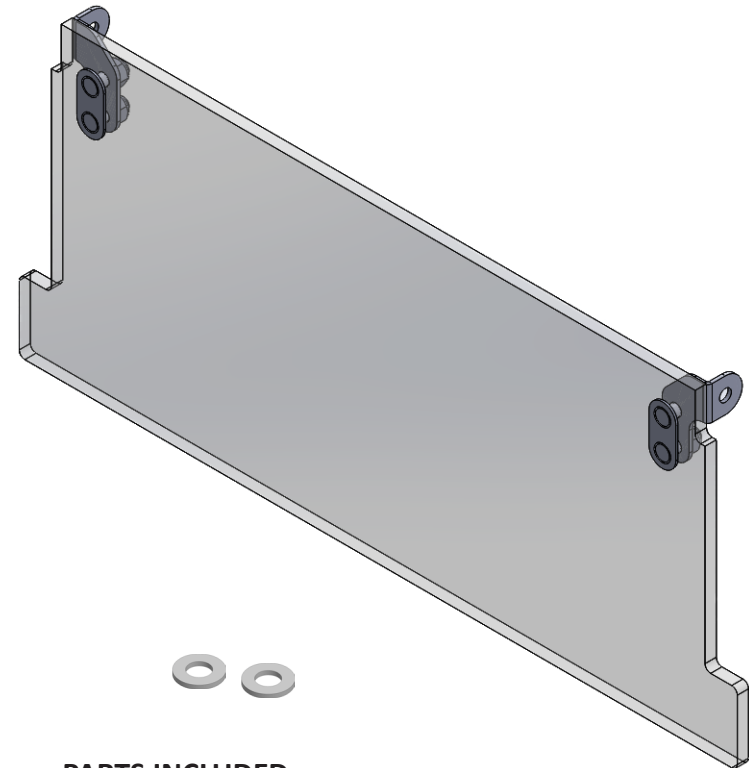
DESCRIPTION:

This document illustrates how to replace the Door Assembly in your Model 791.



TOOLS NEEDED

- 2mm Allen Wrench



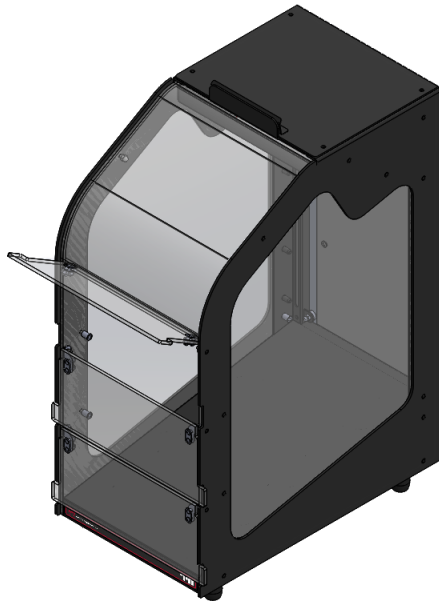
PARTS INCLUDED

- (1) 0027175 - DOOR ASSEMBLY
- (2) 0027662 - WASHER

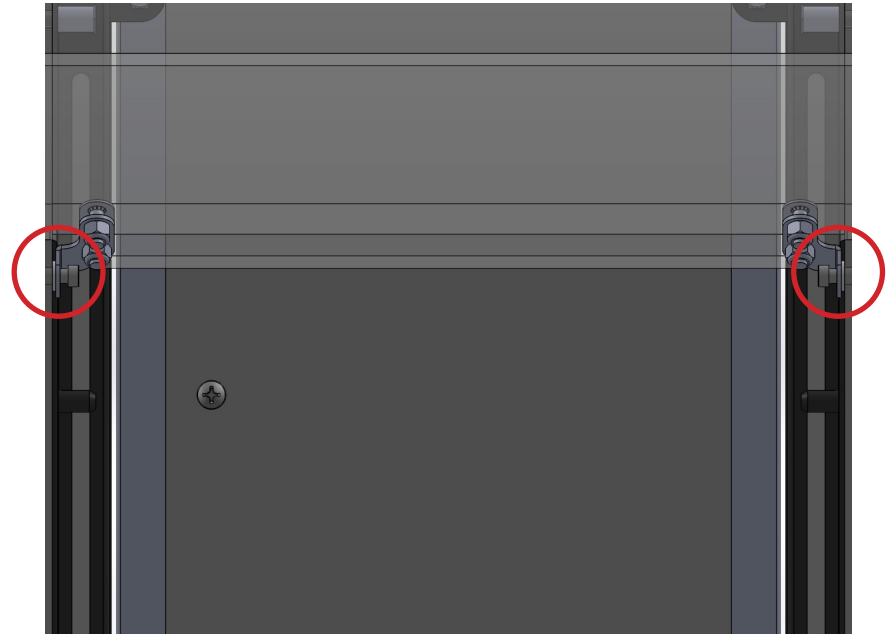
Please review this document thoroughly before beginning repairs. Wisco recommends using qualified local service agents. Wisco does not have authorized service agents.



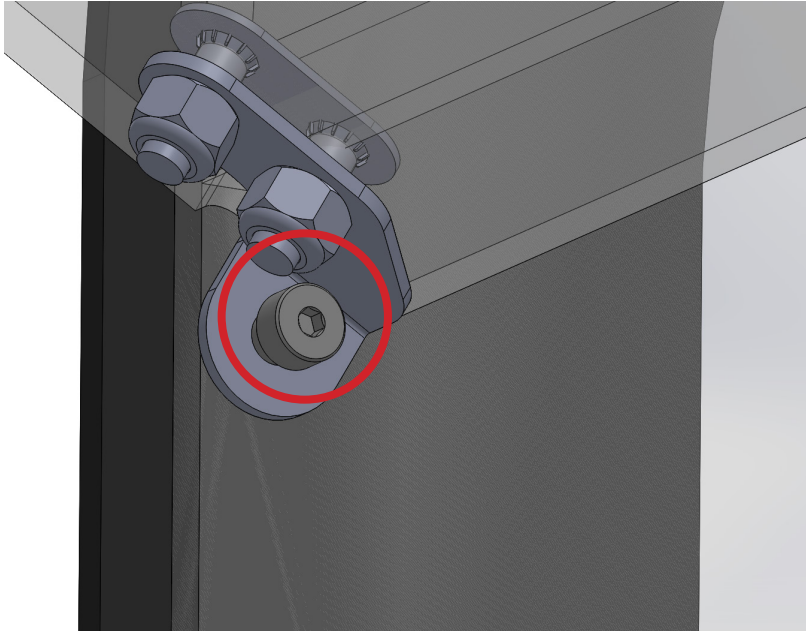
UNPLUG UNIT FROM OUTLET AND ALLOW TO COOL



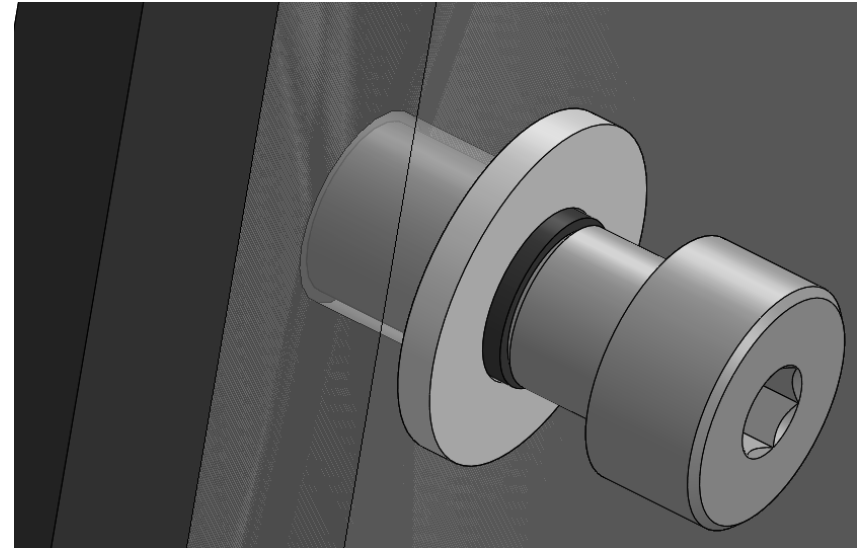
1.) Open the door.



3.) Locate the Shoulder Screw, on both sides.



4.) Using a 2mm Allen Wrench, remove the Shoulder Screws from each side. Discard the old Door Assembly.



5.) Install the new Door Assembly. Ensure the Shoulder Screw is tightened against the standoff and that the Washer spins freely on the standoff. The Washer should be mounted between the Enclosure and Door Hinge.

The Door Hinge has been removed for clarification

6)Your unit is now ready for operation.