



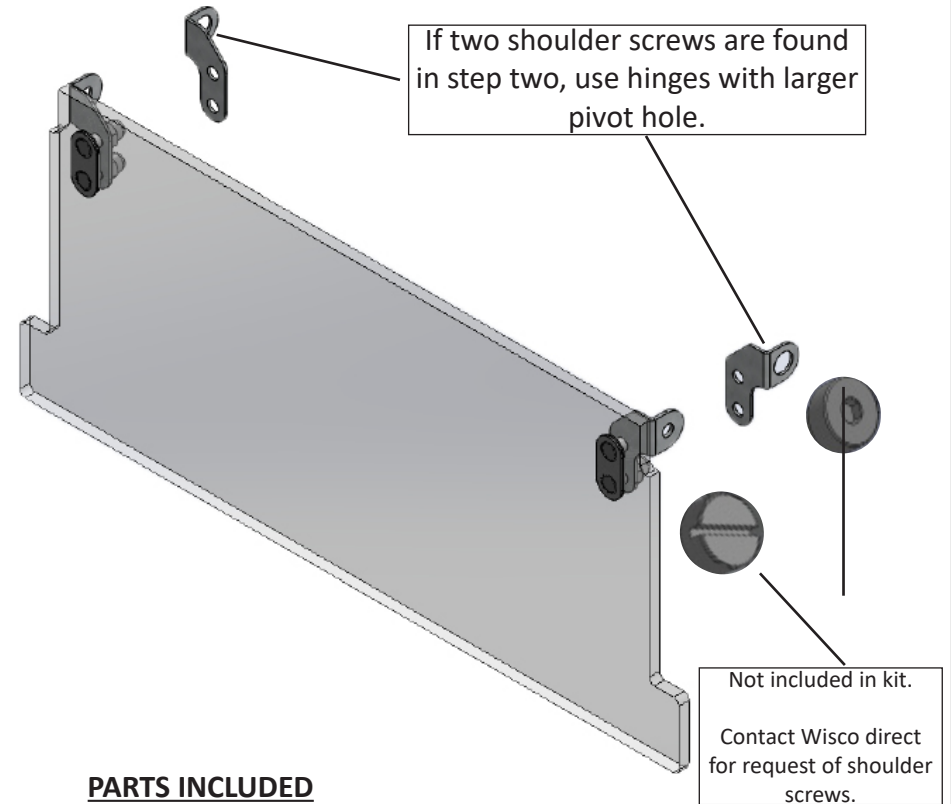
DESCRIPTION:

This document illustrates how to replace the Door Assembly in your Model 791.



TOOLS NEEDED

- Flat Head Screwdriver
or
- 2mm Allen Wrench



PARTS INCLUDED

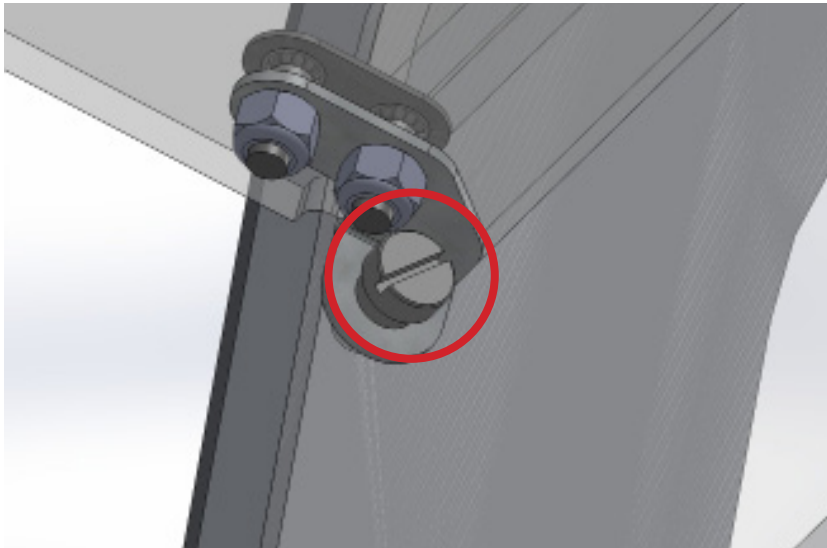
- (1) 0027175 - DOOR ASSEMBLY

Please review this document thoroughly before beginning repairs. Wisco recommends using qualified local service agents. Wisco does not have authorized service agents.



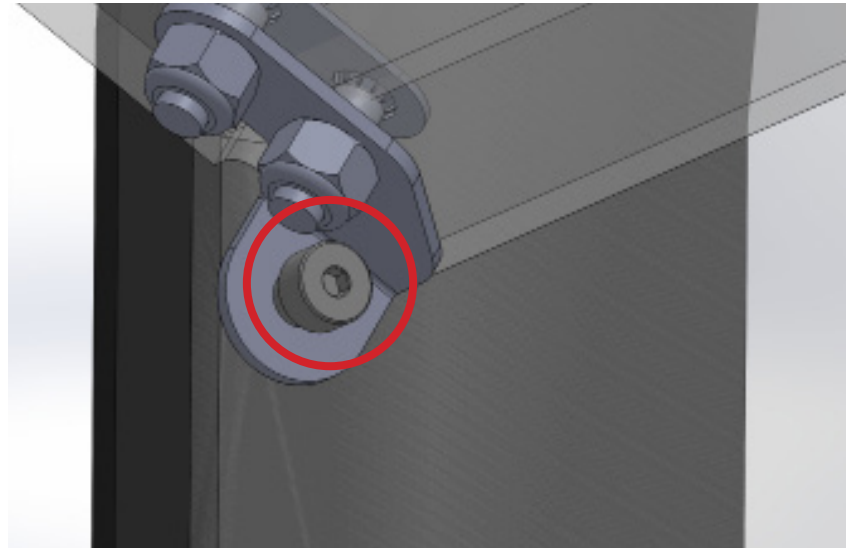
UNPLUG UNIT FROM OUTLET AND ALLOW TO COOL. OPEN DOOR AND LOCATE SHOULDER SCREWS.

Single Flat Head Shoulder Screw



OR

Left & Right 2mm Allen Wrench Screws



- 1.) Remove single Flat Head Shoulder Screw.
- 2.) Flex door slightly to remove from Studs
- 3.) Install new door by assembling in reverse order.
- 4.) Your unit is now ready for operation.

- 1.) Remove both left and right 2mm Allen Wrench Shoulder Screws.
- 2.) Remove Door.
- 3.) Install new door by assembling in reverse order.
- 4.) Your unit is now ready for operation.