



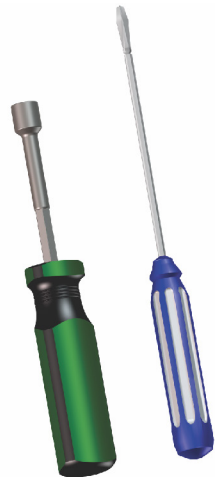
**WISCO INDUSTRIES, INC.**

PHONE : 608.835.3106 • TOLL FREE : 800.999.4726 • FAX: 608.835.7399 • www.wiscoind.com

**MODEL 690 SERIES  
BLOWER MOTOR REPLACEMENT  
0022309**

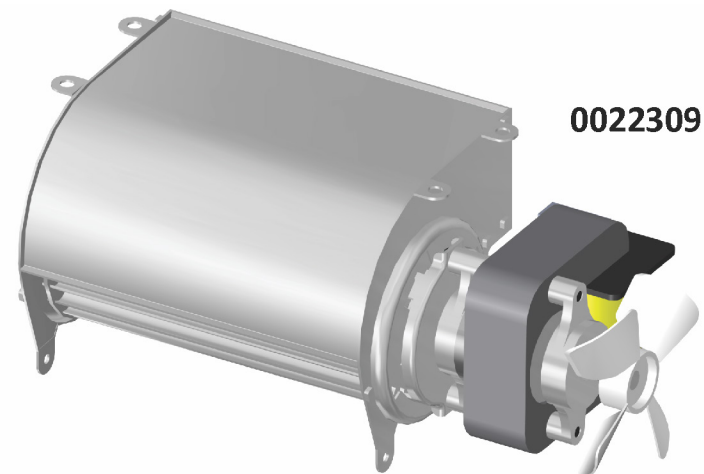
**DESCRIPTION**

*This document illustrates how to replace the Blower Motor for the 690 series.*



**TOOLS NEEDED**

- #2 Phillips Screwdriver
- 11/32" Socket Wrench or Driver



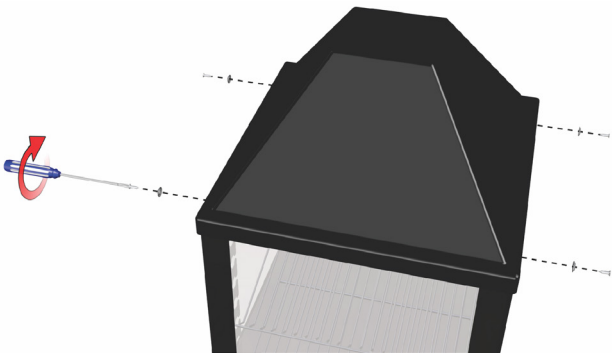
**PARTS INCLUDED**

- (1) 0022309 - Blower Motor

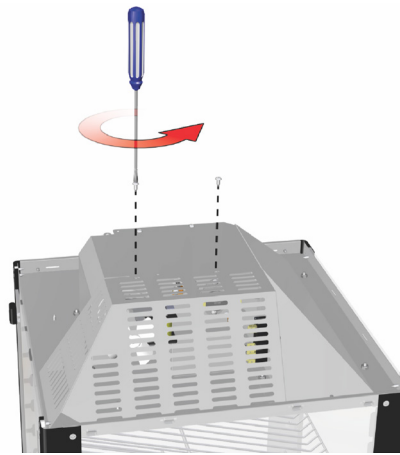


UNPLUG UNIT FROM OUTLET AND ALLOW TO COOL

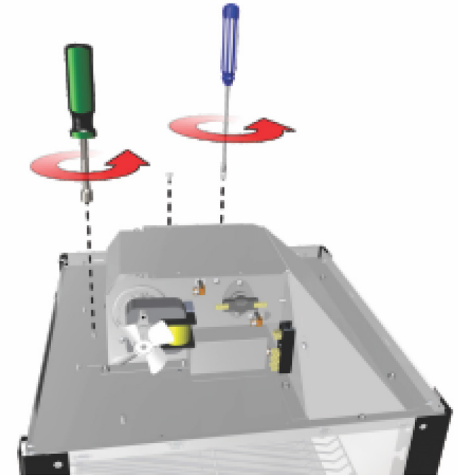
- 1** Remove (4) screws and (4) washers from hood; remove hood.



- 2** Remove (2) Screws from Metal Barrier; remove barrier.



- 3** Remove nut and remaining (2) screws on Heater Box Cover; remove box cover.



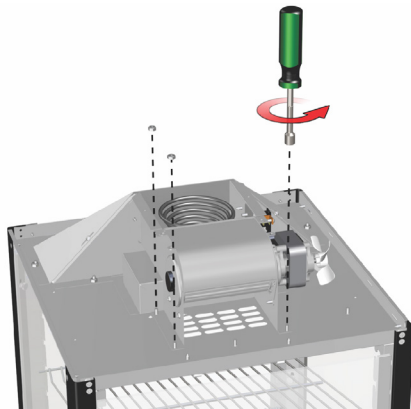


**WISCO INDUSTRIES, INC.**

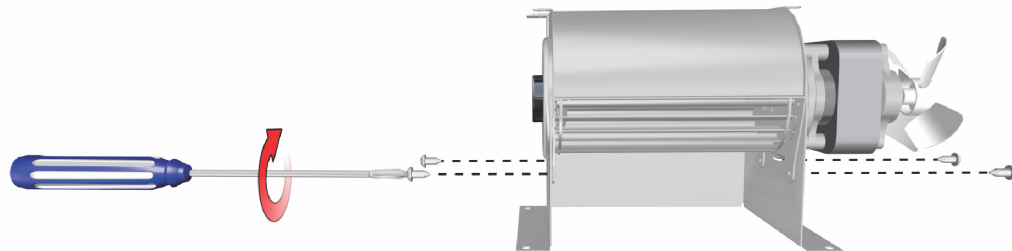
PHONE : 608.835.3106 • TOLL FREE : 800.999.4726 • FAX: 608.835.7399 • www.wiscoind.com

**MODEL 690 SERIES  
BLOWER MOTOR REPLACEMENT  
0022309**

- 4** Remove (3) Motor Bracket nuts; remove Motor and Bracket assembly.



- 5** Remove (4) Screws from Motor Bracket; remove and discard old Motor.



- 6** Using the new motor, complete all steps in reverse order and you have successfully replaced your units blower motor. Your unit is now ready for operation.