



Model 780 – Outlet Cover Replacement  
0021403SK

PARTS INCLUDED

- (1) 0021403 ..... Outlet Cover
- (1) I013536 ..... Caution Hot Surface Label



0021403



I013536



PRE-ASSEMBLY

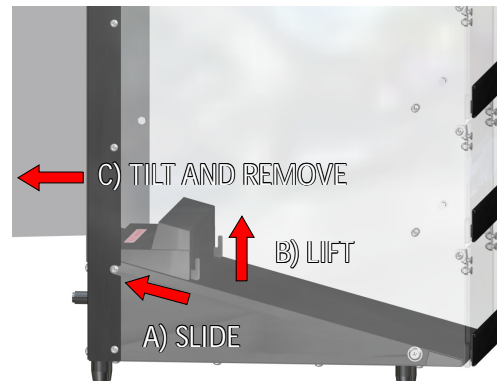
1. Apply label to new outlet cover as shown.



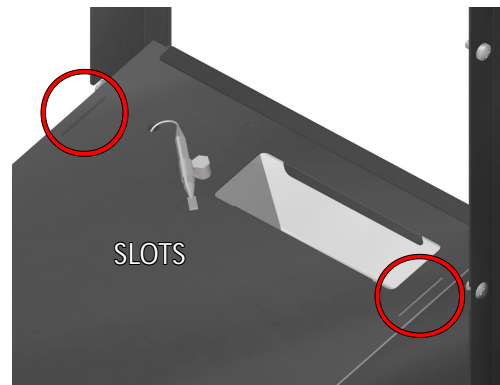
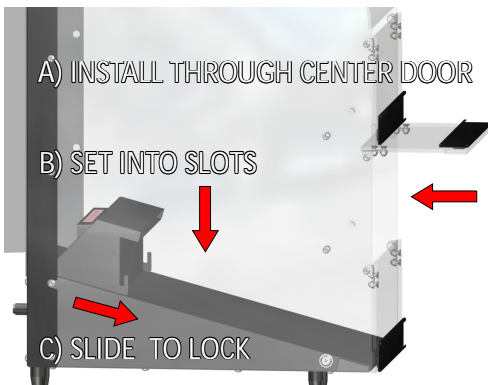
INSTALLATION INSTRUCTIONS

1. Unplug unit from outlet and allow to cool.
2. Remove all racks.
3. Remove outlet cover from unit.

*Take care not to scratch the inside of the enclosure.*



4. Install new outlet cover (0021403) into unit.



5. Return racks to unit.
6. Unit is now ready for operation.