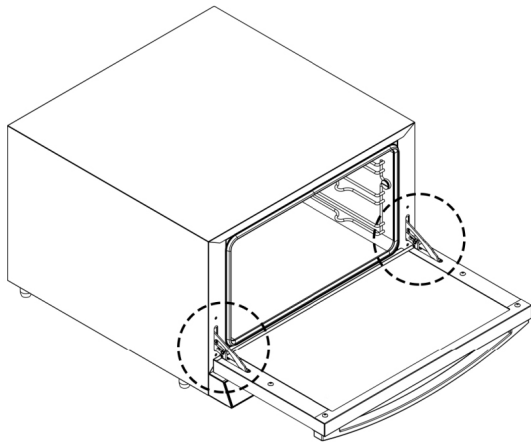




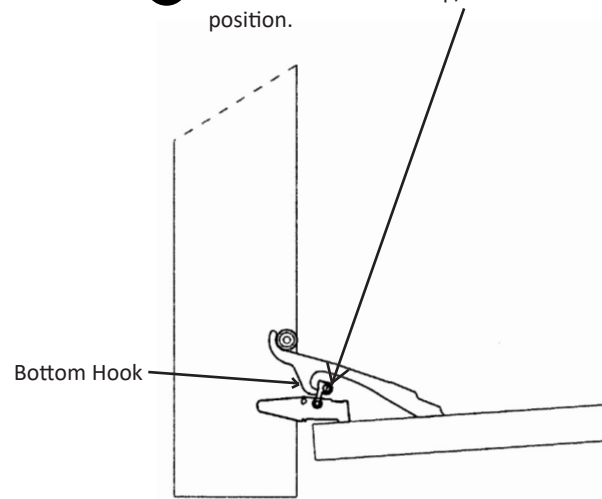
### DESCRIPTION

This document illustrates how to remove/replace the Oven Door for models 620, 621, & 721.

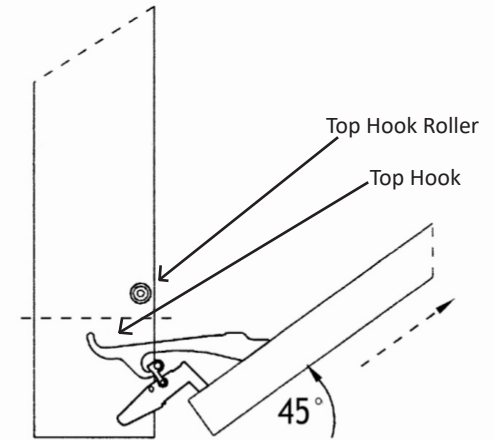
- 1 Unplug the unit and then open the door.



- 2 Push HINGE LOCKS in "up/locked" position.



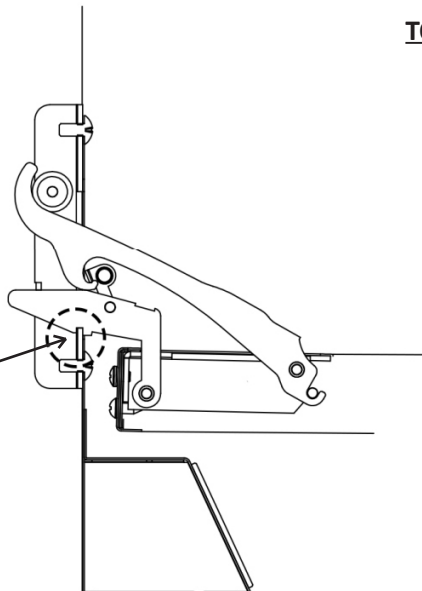
- 3 Tilt door up at about 45° angle until the TOP HOOK on HINGE ARM is lower than the TOP HOOK ROLLER; pull door out of HINGE SLOTS.



### TO REPLACE DOOR

- 1 Reference step 3 above in reverse for placing door back into the unit.

- 2 Ensure notch is secured in position shown.



- 3 In order to put HINGE LOCKS in "down lock" position, slight downward pressure on door may need to be applied to release HINGE LOCKS.

