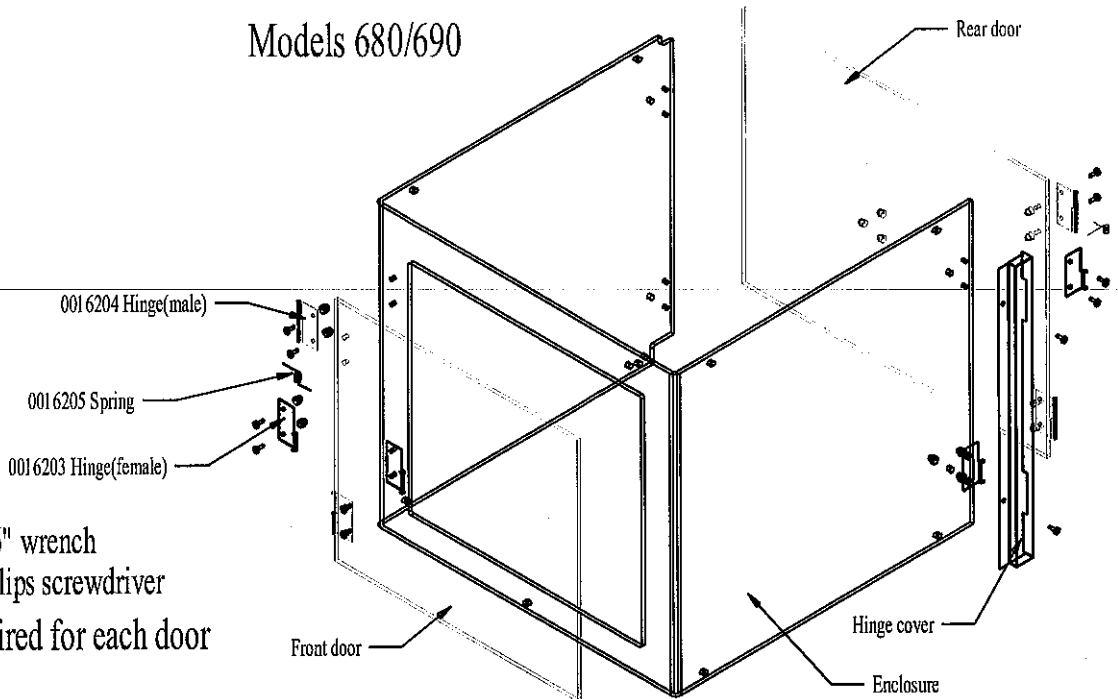


Installation Instructions: Spring loaded door kit 001 6205SK

Models 680/690



Tools required : 5/16" wrench
Phillips screwdriver

1 Kit required for each door

Step 1 - Remove door by opening and lifting up.
Hinges will separate.

Fig. 1

Step 2 - Remove the upper hinge halves from both the door and enclosure.
(Note: When installing kit on larger (rear) door, remove hinge cover at corner of enclosure to provide access to hinge half attached to enclosure.)

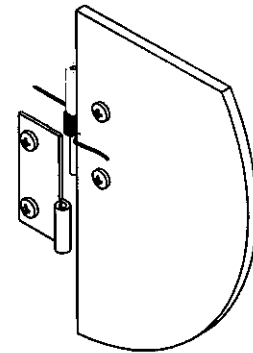


Fig. 2
Front Door

Step 3 - Install hinge halves provided with kit to create a pocket for the spring.
Note: Male(pinned) hinge half attaches to the door ; inside on the front door and outside on the rear door. Acorn nuts are always installed on inside of unit.
! Caution ! Do not overtighten screws!

Step 4 - Spread legs of spring and slip coils over hinge pin. Bent leg to outside & bottom of hinge; straighter leg to inside. Figs.2, 3, & 4

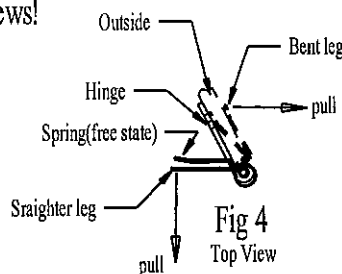


Fig 4
Top View

Step 5 - Reinstall door making certain that straighter spring leg works against outside of enclosure hinge. Reinstall hinge cover if removed.
Check operation of door.

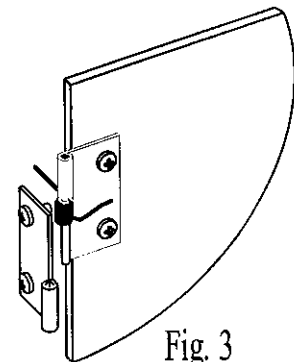


Fig. 3
Rear Door