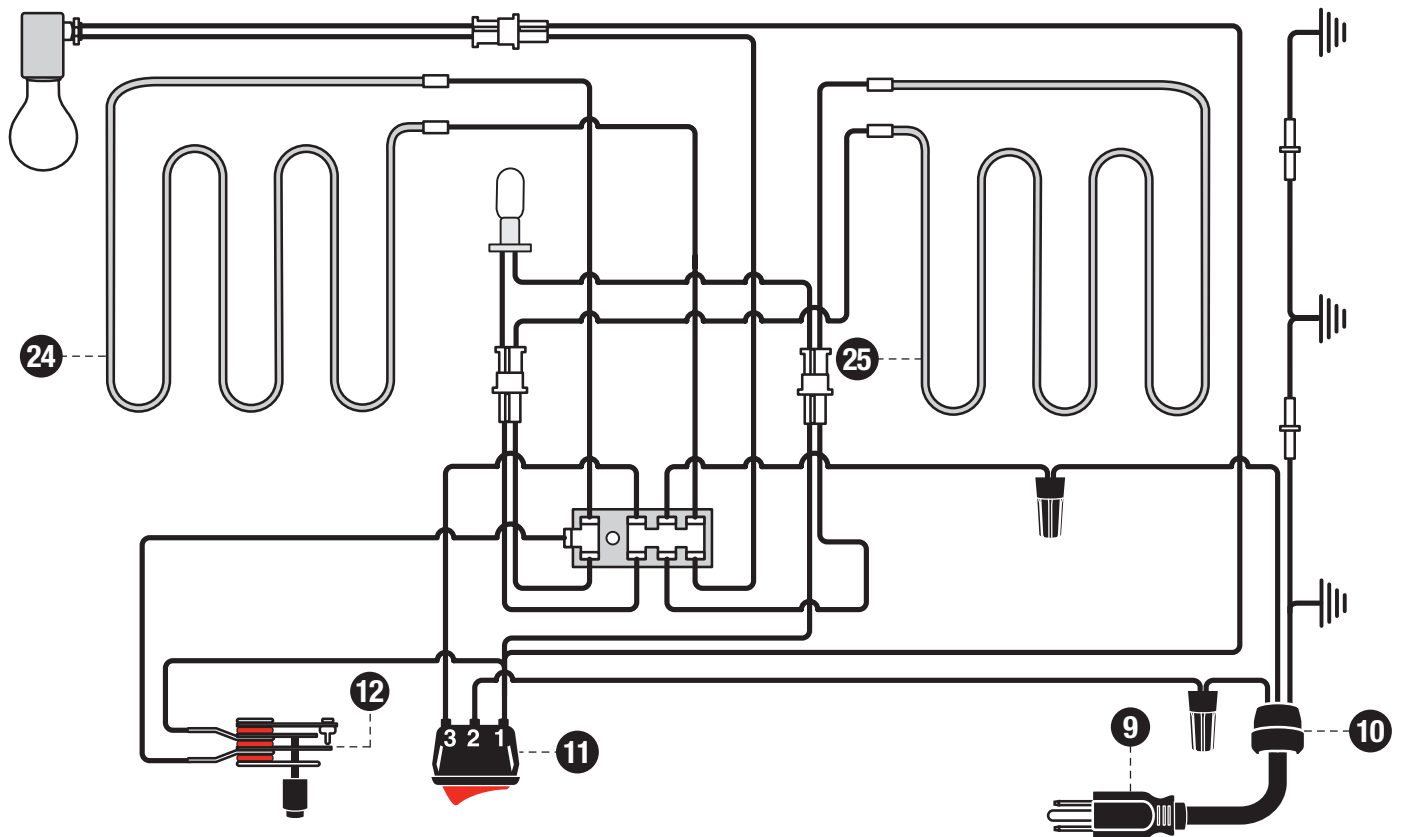


Model 680-1 Wiring Diagram

Current Model (Single Switch)



Obsolete Model (Dual Switch)

