



WISCO INDUSTRIES, INC.

PHONE: 608.835.3106 • TOLL FREE: 800.999.4726 • FAX: 608.835.7399 • www.wiscoind.com

MODEL 891
DOOR ASSEMBLY REPLACEMENT
0027686SK

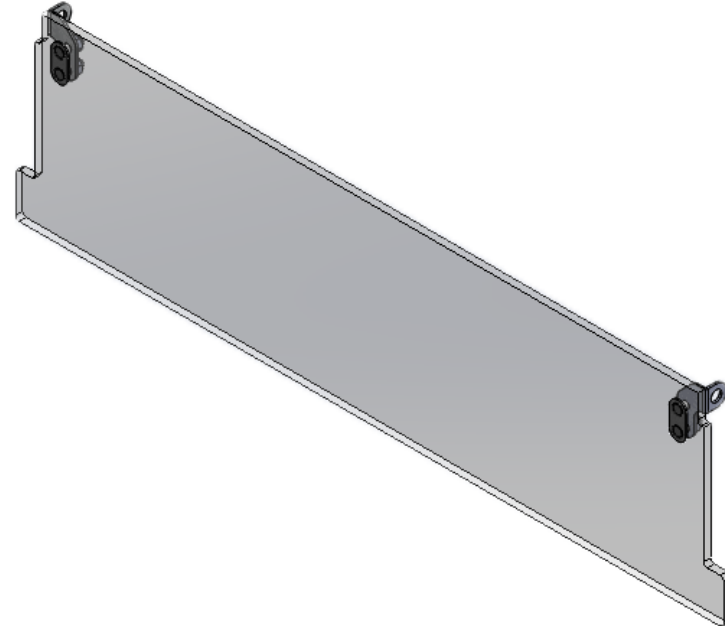
DESCRIPTION:

This document illustrates how to replace the Door Assembly in your Model 891.



TOOLS NEEDED

- Flat Head Screwdriver



PARTS INCLUDED

- (1) 0027686 - DOOR ASSEMBLY

Please review this document thoroughly before beginning repairs. Wisco recommends using qualified local service agents. Wisco does not have authorized service agents.



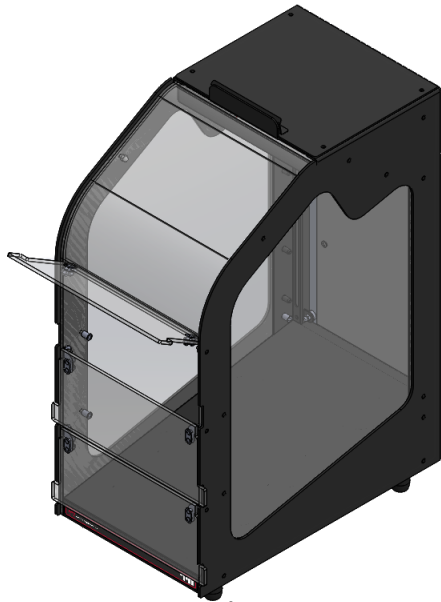
WISCO INDUSTRIES, INC.

PHONE: 608.835.3106 • TOLL FREE: 800.999.4726 • FAX: 608.835.7399 • www.wiscoind.com

**MODEL 891
DOOR ASSEMBLY REPLACEMENT
0027686SK**



UNPLUG UNIT FROM OUTLET AND ALLOW TO COOL



*** Remove racks if necessary* CAUTION: HOT**
1.) Open the door.

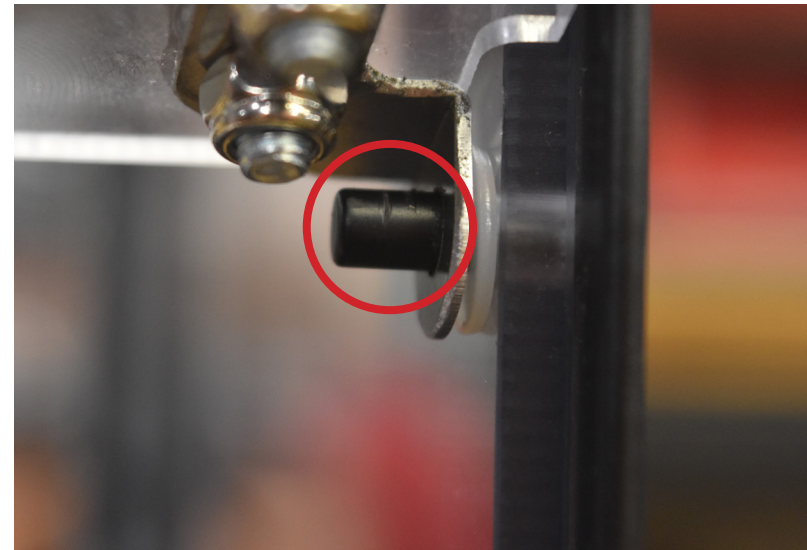
(NOTE: 791 SHOWN)



2.) Locate the Shoulder Screw, on the left side looking at unit from front.



3.) Using a Screwdriver, remove the Shoulder Screw from left side.



- 4.) Flex door to slide out from stud.
Discard the old Door Assembly.
- 5.) Install new door by assembling in reverse order.
- 6.) Your unit is now ready for operation.