

# DOOR ASS'Y #616N

FS140034A

STARTING SERIAL No: 2414

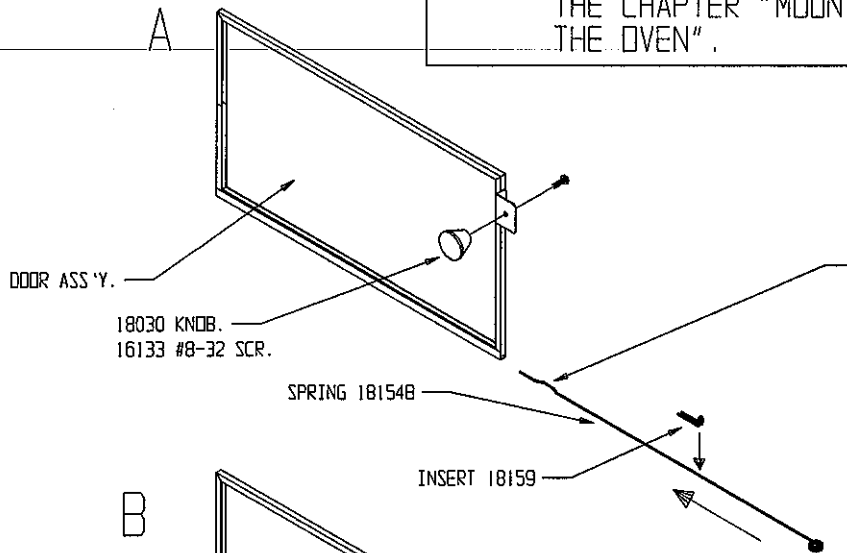
## INSTRUCTIONS.

TOOL REQUIRED: MEDIUM SIZE PHILLIP SCREW DRIVER.

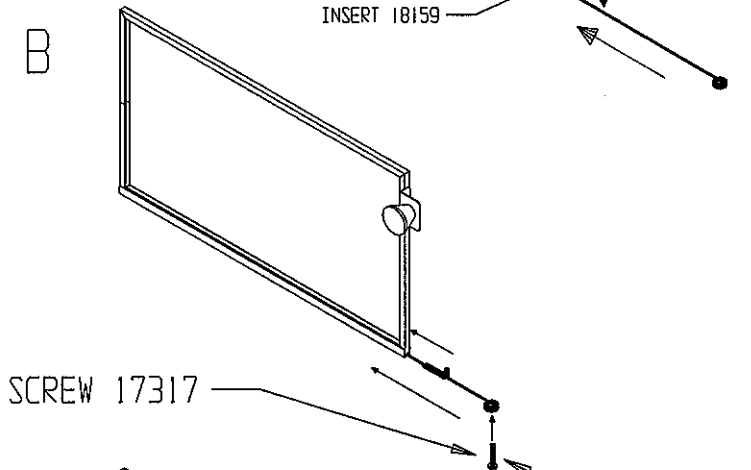
DRIG:8/4/00 SJ  
REV:10/14/02 SJ

NOTE: IF YOU RECEIVE THE DOOR WITH THE SPRING, INSERT & SCREW ALREADY ASSEMBLED, GO TO THE CHAPTER "MOUNTING THE DOOR TO THE OVEN".

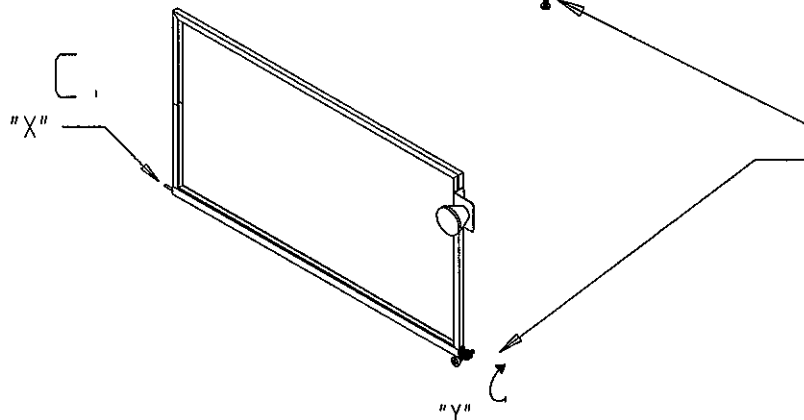
### ASSEMBLING THE SPRING AND INSERT TO THE DOOR.



NOTICE THE ORIENTATION OF THE END OF THE SPRING.  
INSERT THE SPRING IN TO THE LOWER MEMBER OF THE DOOR FRAME.  
PLACE THE INSERT ON THE SPRING.  
PRESS THE SPRING/INSERT ALTHE WAY INTO THE DOOR FRAME.



### MOUNTING THE DOOR TO THE OVEN.



1) HOLD THE DOOR AS ILLUSTRATION.C  
INSERT END OF THE SPRING "X" INTO  
THE MATING HOLE IN THE OVEN.

2) INSERT THE SCREW HALFWAY THROUGH  
THE SPRING LOOP (ILLUSTR. B ) AND  
TWIST SPRING APPROX. 90 ° CLOCKWISE  
UNTIL THE SCREW BECOMES HORIZONTAL  
"Y" IN ILLUSTRATION C.

3) THEN INSERT THE SCREW INTO THE  
MATING HOLE IN THE OVEN.

NOTE: BEFORE INSERTING THE SCREW,  
MAKE SURE THE HOLE IN THE  
FRONT LINES UP WITH THE HOLE  
IN THE BOTTOM PLATE.

4) AFTER TIGHTENING THE SCREW YOU  
MIGHT HAVE TO BACK IT OFF, FOR  
PROPPER OPERATION OF THE DOOR.