

# DOOR ASS 'Y #616N

FS140034

ENDING SERIAL No: 2413

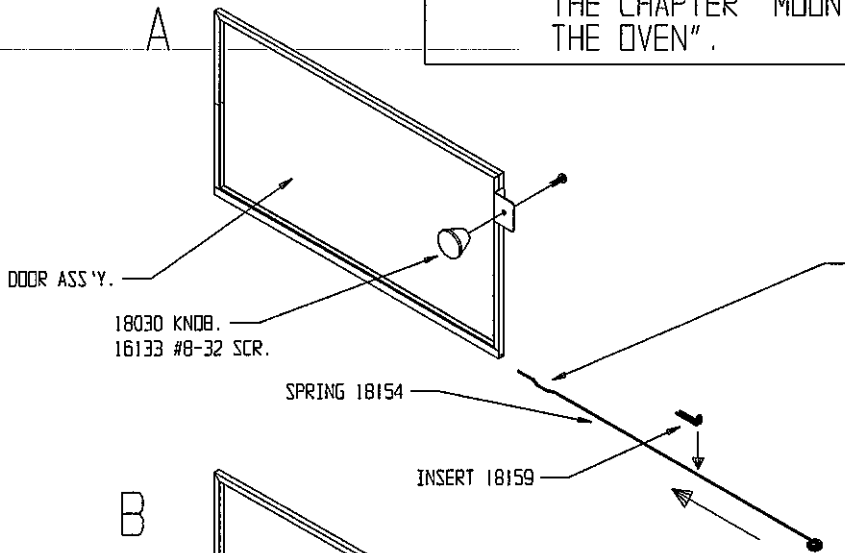
## INSTRUCTIONS.

TOOL REQUIRED: MEDIUM SIZE PHILLIP SCREW DRIVER.

ORIG:8/4/00 SJ  
REV:10/14/00 SJ

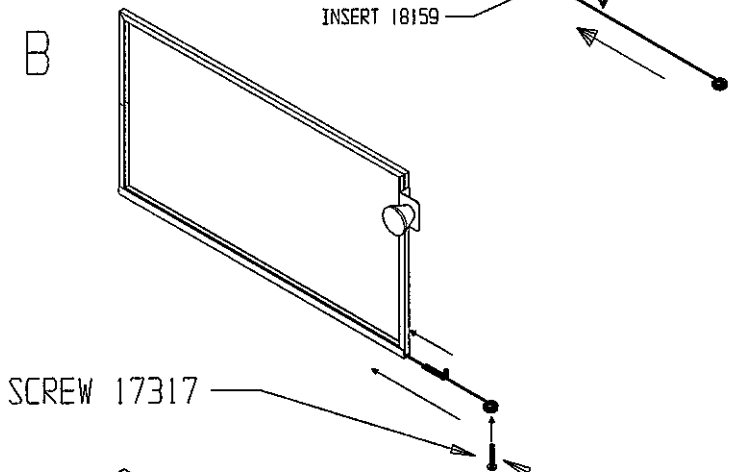
NOTE: IF YOU RECEIVE THE DOOR WITH THE SPRING, INSERT & SCREW ALREADY ASSEMBLED, GO TO THE CHAPTER "MOUNTING THE DOOR TO THE OVEN".

### ASSEMBLING THE SPRING AND INSERT TO THE DOOR.



NOTICE THE ORIENTATION OF THE END OF THE SPRING.  
INSERT THE SPRING IN TO THE LOWER MEMBER OF THE DOOR FRAME.  
PLACE THE INSERT ON THE SPRING.  
PRESS THE SPRING/INSERT ALTHE WAY INTO THE DOOR FRAME.

B



### MOUNTING THE DOOR TO THE OVEN.

1) HOLD THE DOOR AS ILLUSTRATION C  
INSERT END OF THE SPRING "X" INTO THE MATING HOLE IN THE OVEN.

2) INSERT THE SCREW HALFWAY THROUGH THE SPRING LOOP (ILLUSTR. B) AND TWIST SPRING APPROX. 90° CLOCKWISE UNTIL THE SCREW BECOMES HORIZONTAL "Y" IN ILLUSTRATION C.

3) THEN INSERT THE SCREW INTO THE MATING HOLE IN THE OVEN.

NOTE: BEFORE INSERTING THE SCREW, MAKE SURE THE HOLE IN THE FRONT LINES UP WITH THE HOLE IN THE BOTTOM PLATE.

4) AFTER TIGHTENING THE SCREW YOU MIGHT HAVE TO BACK IT OFF, FOR PROPPER OPERATION OF THE DOOR.

C

